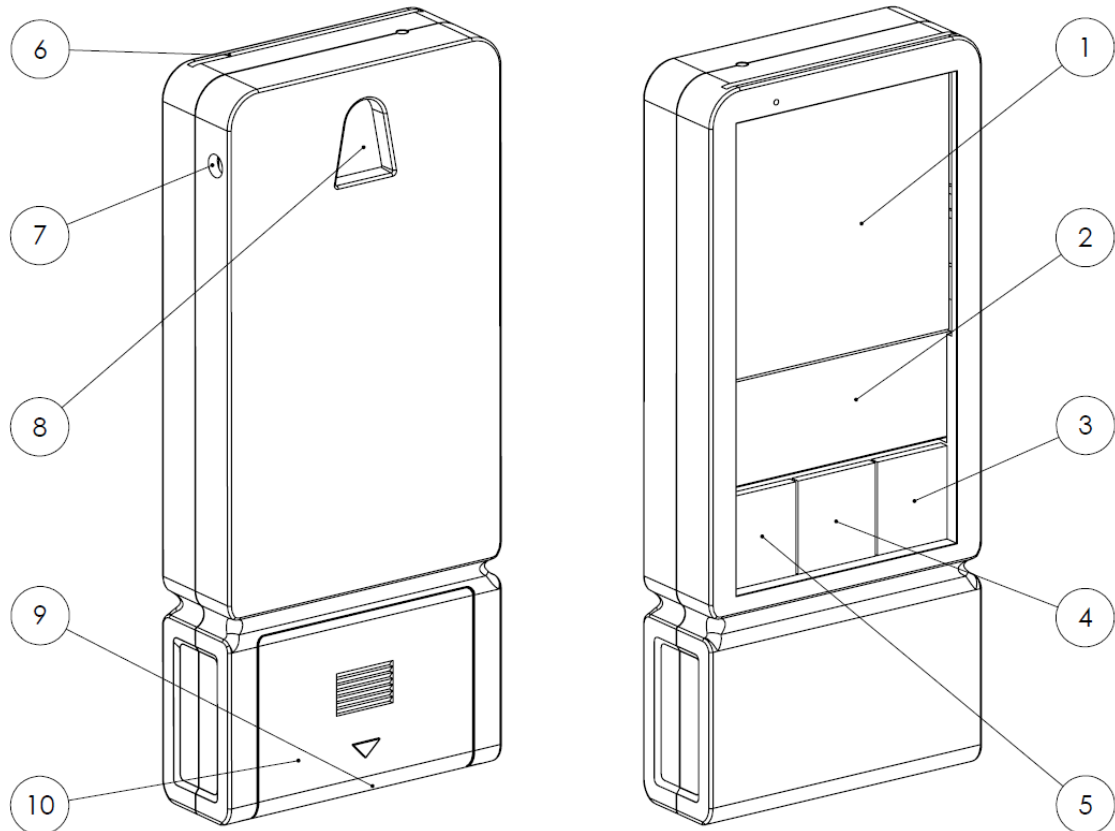


LASER AMMO
TRAINING TECHNOLOGIES

User Guide

LaserPet™ (Personal Electronic Target)



1. Sensor screen
2. Numerator display
3. On/off
4. Mode
5. Reset

6. Target insert slot
7. Remote sensor plug
8. Wall mount
9. Tripod mount
10. Battery compartment

Instructions

Step 1 - Safety First

- Unload the weapon.
- Physically and visually inspect the chamber, bore, and magazine well to ensure that all ammunition has been removed.
- Store ammunition in an area that is separate from your training area.



WARNING: Failure to follow safety instruction may result in injuries or death
Always personally verify that all ammunition has been removed before training.
Do not allow any live ammunition in the training area.

Step 2

- Install two AAA batteries in the battery compartment.
- Press Ø to turn target on or off
- Press MODE to select between the target programs
- Press RESET to reset the score

Target programs:

Hit counter (P1)- Count your consecutive hits.

Set program to P1 and just start shooting. Press reset to zero the score

Shot timer (P2)- Times how fast you can hit the target.

Set program to P2. Target will give you a random time to get ready. It will then FLASH and BEEP and begin to count elapsed time. Stop the timer by shooting the target. Your score will be visible for a few seconds before automatically re-setting and starting over again.

Magazine Change/ Burst Shooting (P3) - Count how many times you can hit the target within 5 seconds.

Set program to P3. Target will give you 4 seconds to get ready. Practice changing your magazine and hitting the target within the next 5 seconds or just shoot as fast as you can. Your score will be visible for a few seconds before automatically re-setting and starting over again.

Double Tap Timer (P4) - Times how fast you can hit a second shot.

Set program to P4. Target will give you 4 seconds to get ready. It will then BEEP once and contently FLASH until you hit the target for the first time, which will start the shot timer. Stop the timer by shooting the target again. Your score will be visible for a few seconds before automatically re-setting and starting over again.